

# Product Data Sheet

## Astro ASDB and ASDBX Seals

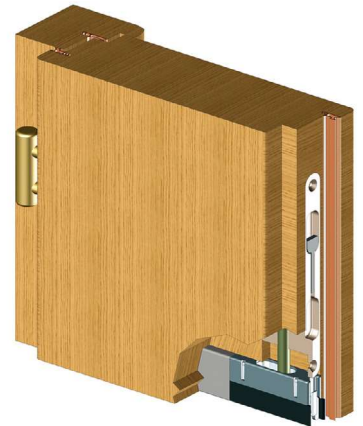
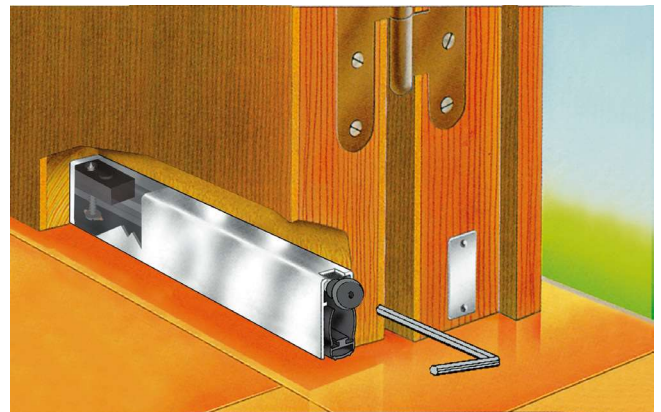
Revision 9 - 13th October 2021



## Astro ASDB and ASDBX Seals

### Acoustic Rated Door Bottom Seals

- Rebated Door bottom seals.
- Sound reduction up to Rw 51dB\* (AFASDBX version) Rw37\* (AFASDB version).
- Rebated fitting - comes with prefitted screws.
- Aluminium finish.
- Smoke tested in accordance with BS EN 1634-3: 2004.



#### Product Description

##### **Astro ASDB Seal - Rebate Fit Version**

An automatic door bottom seal which is spring loaded to lift clear of the floor as soon as the door leaf is opened by a few millimetres.

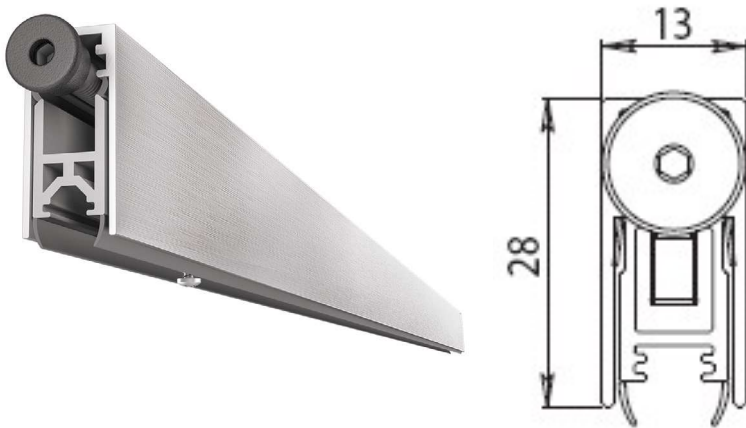
##### **Astro ASDBX DB Plus Seal**

An automatic door bottom seal which is spring loaded to lift clear of the floor as soon as the door leaf is opened by a few millimetres.

##### **DB Seal Extension - Astro ASDBX/FBEXT & ASDBX/FBBOLT**

A unique solution to fitting rebated flush bolts in conjunction with drop down seals. The DB SEAL Extension works as an extender with the Astro DB Seal Plus drop down seal.

Product Availability



**Astro ASDB Seal - Rebate Fit Version**

An automatic door bottom seal which is spring loaded to lift clear of the floor as soon as the door leaf is opened by a few millimetres.

An acoustically designed seal for rebated applications. Mounted into a 13mm x 28mm groove that has been morticed into the bottom edge of the door.

It is operated automatically by pressure against the door jamb on its plunger and seals when the door closes and retracts automatically when the door is opened.

Please review the [face mounted door seal version](#)

Suitable for all types of wooden doors. 14mm maximum drop, Graduated Scissor action (seal drops on hinge side before lock side).

Smoke Testing was conducted to BS EN 1634-3: 2004 smoke control tests for door and shutter assemblies, openable windows and elements of building hardware - Part 3: Smoke control test for door and shutter assemblies.

Noise Reduction Index up to Rw 37 dB\*

Maximum Drop: 14mm.

Aluminium carrier

**Astro ASDB Seal Size 330 to 1030mm**



**Astro ASDB Seal Size 1130mm**



### Product Availability

Maximum trimming:

50mm - 330mm

125mm - 430mm

150mm - 530mm to 1130mm.

| Product Code | Description                          | Colour    | Size   |
|--------------|--------------------------------------|-----------|--------|
| AFASDB/330   | Astro ASDB Seal - Rebate Fit Version | Aluminium | 330mm  |
| AFASDB/430   | Astro ASDB Seal - Rebate Fit Version | Aluminium | 430mm  |
| AFASDB/530   | Astro ASDB Seal - Rebate Fit Version | Aluminium | 530mm  |
| AFASDB/630   | Astro ASDB Seal - Rebate Fit Version | Aluminium | 630mm  |
| AFASDB/730   | Astro ASDB Seal - Rebate Fit Version | Aluminium | 730mm  |
| AFASDB/830   | Astro ASDB Seal - Rebate Fit Version | Aluminium | 830mm  |
| AFASDB/930   | Astro ASDB Seal - Rebate Fit Version | Aluminium | 930mm  |
| AFASDB/1030  | Astro ASDB Seal - Rebate Fit Version | Aluminium | 1030mm |
| AFASDB/1130  | Astro ASDB Seal - Rebate Fit Version | Aluminium | 1130mm |

### To Order & Specify

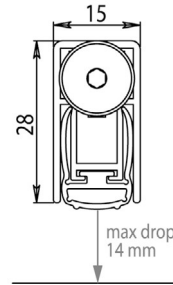
Please contact us and quote the following information -

Quantity / Product Description / Product Code / Colour / Size

Typical wording - 10 / Astro ASDB Seal - Rebate Fit Version / AFASDB/330 / Aluminium / 330mm

>> Tel: [01329 844 500](tel:01329844500) or >> Email: [sales@astroflame.com](mailto:sales@astroflame.com)

Product Availability



**Astro ASDBX DB Plus Seal**

An automatic door bottom seal which is spring loaded to lift clear of the floor as soon as the door leaf is opened by a few millimetres.

14mm maximum drop, Graduated Scissor action (seal drops on hinge side before lock side).

Smoke Testing was conducted to BS EN 1634-3: 2004 smoke control tests for door and shutter assemblies, openable windows and elements of building hardware - Part 3: Smoke control test for door and shutter assemblies.

Noise Reduction Index up to Rw 51dB\*

Maximum Drop: 14mm.

Aluminium carrier

### Product Availability

Maximum trimming:

50mm - 330mm

135mm - 430mm

150mm - 530mm to 1230mm.

| Product Code | Description              | Colour    | Size   |
|--------------|--------------------------|-----------|--------|
| AFASDBX/330  | Astro ASDBX DB Plus Seal | Aluminium | 330mm  |
| AFASDBX/430  | Astro ASDBX DB Plus Seal | Aluminium | 430mm  |
| AFASDBX/530  | Astro ASDBX DB Plus Seal | Aluminium | 530mm  |
| AFASDBX/630  | Astro ASDBX DB Plus Seal | Aluminium | 630mm  |
| AFASDBX/730  | Astro ASDBX DB Plus Seal | Aluminium | 730mm  |
| AFASDBX/830  | Astro ASDBX DB Plus Seal | Aluminium | 830mm  |
| AFASDBX/930  | Astro ASDBX DB Plus Seal | Aluminium | 930mm  |
| AFASDBX/1030 | Astro ASDBX DB Plus Seal | Aluminium | 1030mm |
| AFASDBX/1130 | Astro ASDBX DB Plus Seal | Aluminium | 1130mm |
| AFASDBX/1230 | Astro ASDBX DB Plus Seal | Aluminium | 1230mm |

### To Order & Specify

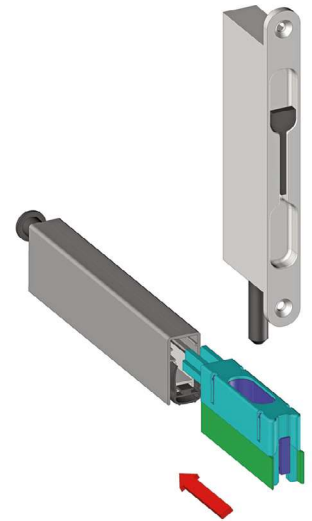
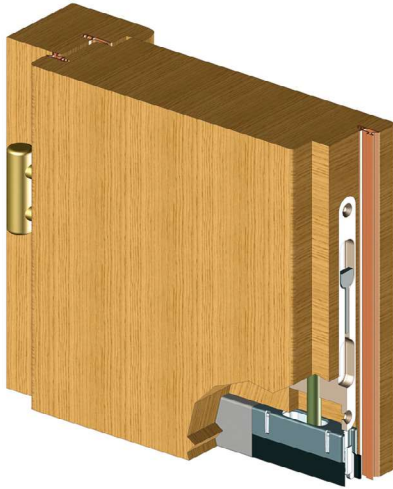
Please contact us and quote the following information -

Quantity / Product Description / Product Code / Colour / Size

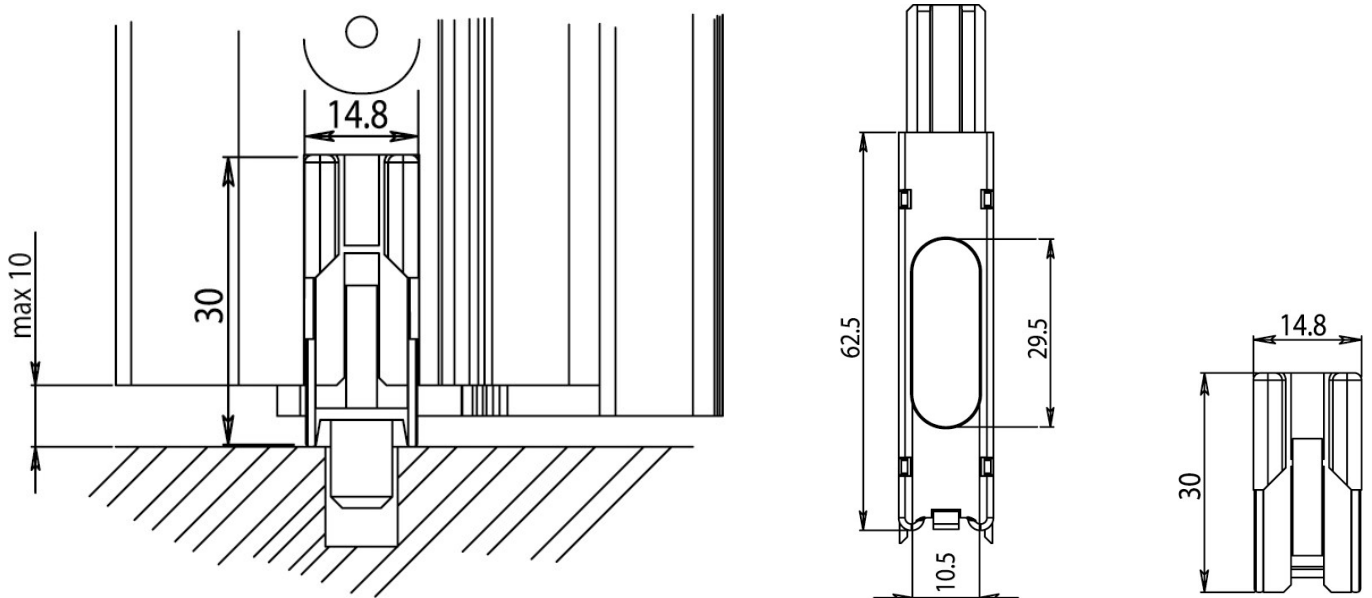
Typical wording - 10 / Astro ASDBX DB Plus Seal / AFASDBX/330 / Aluminium / 330mm

>> Tel: [01329 844 500](tel:01329844500) or >> Email: [sales@astroflame.com](mailto:sales@astroflame.com)

**Product Availability**



Dimensions and Schematic Diagram.



**DB Seal Extension - Astro ASDBX/FBEXT & ASDBX/FBBOLT**

A unique solution to fitting rebated flush bolts in conjunction with drop down seals. The DB SEAL Extension works as an extender with the Astro DB Seal Plus drop down seal. 10mm maximum drop and the seal is manually lowered on the handle side. Also available are 150mm Stainless Steel Flush Bolts (AFASDBX/FBBOLT) with radiused ends designed to work with the DB Seal Extension. Noise Reduction Index Rw 35dB\*. Seal is manually lowered on handle side.

**Product Availability**

| Product Code   | Description                   |
|----------------|-------------------------------|
| AFASDBX/FBEXT  | Astro DB Seal Plus Extension  |
| AFASDBX/FBBOLT | Astro DB Seal Plus Flush Bolt |

**To Order & Specify**

Please contact us and quote the following information - Quantity / Product Description / Product Code  
Typical wording - 10 / Astro DB Seal Plus Extension / AFASDBX/FBEXT

>> Tel: [01329 844 500](tel:01329844500) or >> Email: [sales@astroflame.com](mailto:sales@astroflame.com)

## Installation

We have technical representatives who provide assistance in the selection and specification of the products on this site and should be consulted for exact installation and product suitability. Ensure an early engagement with ourselves, designers, main contractor and specialist installers before any installation. Other trades and/or manufacturers may need to be consulted. For in-depth information, specification and technical advice please call our Head Office on tel [01329 844 500](tel:01329844500) or email [sales@astroflame.com](mailto:sales@astroflame.com)

## Maintenance

All interested parties, designer, specifier, main contractor and specialist installers should provide access to allow the fire stopping seals to be regularly inspected and maintained, as well as records kept of such maintenance at minimum periods of 12 months, as required by the Regulatory Reform Order, and repaired if necessary. Reference should be made to ASFP TGD 17 – Code of Practice for the Installation and Inspection of Fire Stopping.

## Competency

It is vital that those entrusted to design or install a fire stopping product have the necessary levels of competence to undertake the task professionally and thoroughly. The level of competency required will be commensurate with the expected complexity of the building. All designers must eliminate, reduce or control foreseeable risks that may arise during installation, construction or maintenance when preparing or modifying designs. Clients should ensure that the principal designer and principal contractor carry out their duties under CDM regulations. The ASFP foundation course in passive fire protection provides essential knowledge as part of demonstrating competency and understanding in this key fire protection specialism.

## Additional notes

\* The sound reduction rating will vary depending on the door density and any additional threshold & perimeter seals used in conjunction with this product, contact Astroflame for confirmation before specifying.

For further information on installation requirements please refer to the door manufacturer data to ensure the compatibility of this product, if in doubt please contact the technical team on: tel [01329 844 500](tel:01329844500) or email [sales@astroflame.com](mailto:sales@astroflame.com)

## Health and Safety

For further information on health and safety requirements please contact the technical team on: tel [01329 844 500](tel:01329844500) or email [sales@astroflame.com](mailto:sales@astroflame.com)

As part of our policy of ongoing improvements, we reserve the right to modify, alter or change product specifications without giving notice. Product illustrations are representations only. All information contained in this document is provided for guidance only, and as ASTROFLAME (FIRE SEALS) LTD has no control over the specific application or installation methods of the products, or of the prevailing site conditions, no warranties expressed or implied are intended to be given as to the actual performance of the products mentioned or referred to, and no liability whatsoever will be accepted for any loss, damage or injury arising from the use of the information given of products mentioned or referred to herein.

The above information to the best of our knowledge is true and accurate and based upon current test data and is supplied for your guidance only. Customers should satisfy themselves to the suitability of the product based on the products limitation of applications and that the product is fit for purpose for their intended use and no guarantee is given or implied since the conditions of actual use are beyond our control. ASTROFLAME (FIRE SEALS) LTD, disclaim any liability for loss, damage or other expense arising from the use of information, data or products mentioned or referred to and reserve the right to change any details or specifications without notice. If you are in any doubt as to the suitability of this product for your intended application please contact our technical team on 01329 844500 or email [sales@astroflame.com](mailto:sales@astroflame.com) and we will contact you.